


Specify Model Required:
HJS - 0100.

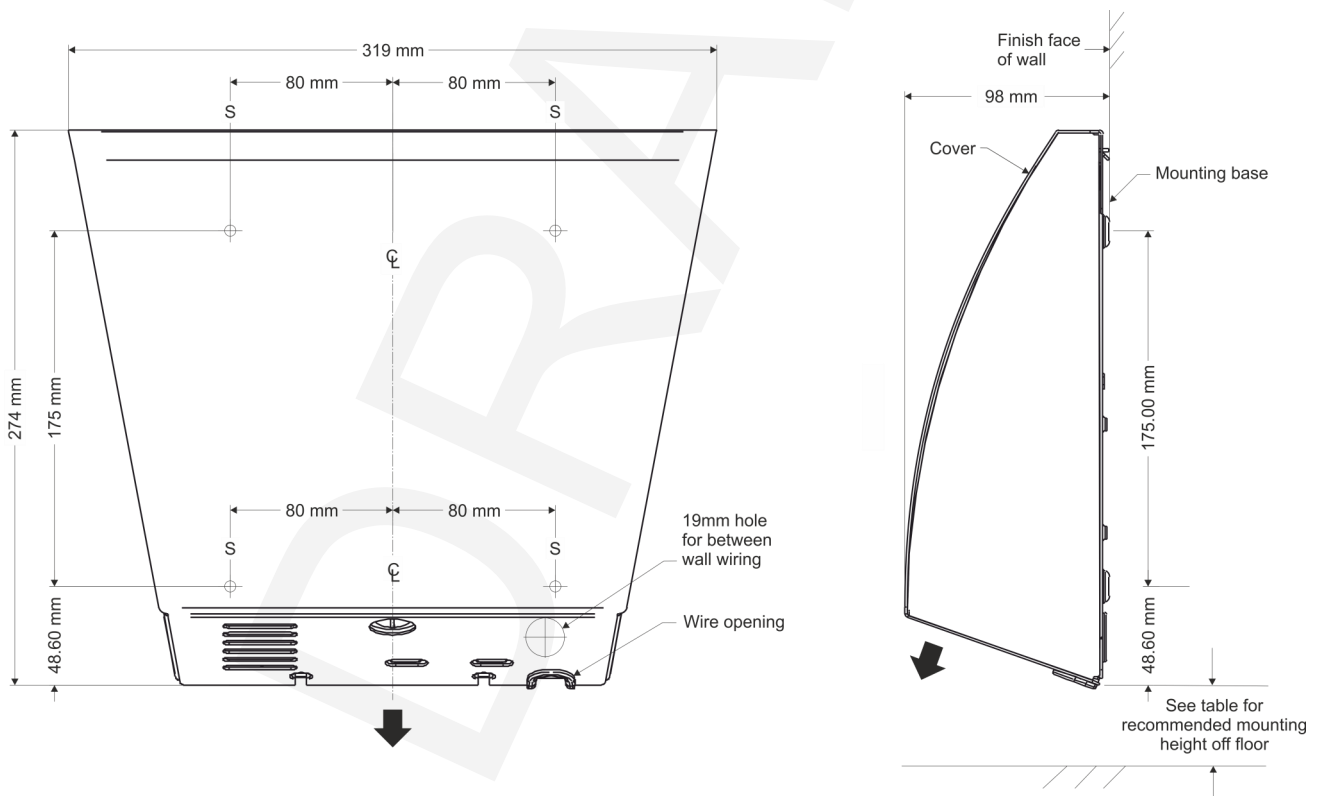
Universal Voltage:
110V– 240V, 50/60 Hz, 200 Watts, cULus Listed
and CE marked.



RECOMMENDED MOUNTING HEIGHTS

Adult Male	1.22m
Adult Female	1.12m
Children	0.91m
 Disabled	0.91m

(Bottom screw hole of mounting base to face floor)



MATERIALS:

Cover — 304 stainless steel 1.2mm thick with #4 satin-finish vertical grain. Air-inlet is vandal-resistant. Cover projects no more than 4" (100mm) from wall and is secured to mounting base with two recessed socket button head cap screws.

Mounting Base — 1.5mm SECC punched and formed

Motor — Brushless 24Vdc with built in thermal protection. Ball bearings. Operates at 40,000 RPM.

Blower — Backward curved radial bladed impeller in polycarbonate housing.

Continued...

Electronic Control — Infrared sensor automatically turns dryer on when hands are held under air-outlet opening and across path of sensor. Remove hands from path of sensor and dryer stops. Electronic sensor has automatic shutoff approximately 85 seconds after dryer turns on if an inanimate object is placed across air-outlet opening. After inanimate object is removed, electronic sensor automatically resets itself and dryer operates normally.

OPERATION:



No-touch operation: electronic sensor automatically turns dryer on when hands are held under air-outlet opening and across path of sensor. Drying time less than 20 seconds. Remove hands from path of sensor and dryer stops. Dryer operates only when actually drying hands, which saves energy and operating costs.

3-Year Limited Warranty — In addition to Airdri's one-year guarantee, Airdri extends a limited 3 year warranty from the date of purchase for hand dryers on all parts.

INSTALLATION:

Wall preparation: Locate mounting base on wall using template provided. For brick, stone, and concrete walls drill four 0.315" (8mm) holes to suit provided wall plugs 0.315" (8mm) x 1-1/4" (45mm) and screws # 10 (4.8mm) x 2" (50mm) long. See template for wall plug and screw installation details. For plaster or dry wall construction, provide concealed backing to comply with local building codes and secure with four #10 (4.8) round-head sheet-metal screws or 3/16" (5mm) toggle bolts (not furnished). Provide electrical service from nearest distribution panel to dryer mounting base in conformance with local electrical codes.

Wiring Instructions:

1. For 115-Volt Supply — Connect ground wire to ground terminal marked  the black or hot wire to terminal marked L1, and neutral or white wire to terminal marked N.
2. For 208–240-Volt Supply — Connect ground wire to ground terminal marked  and the 208-240-volt wires to terminal marked L1 and L2.

Notes: Electronic sensor in Automatic dryers will pick up movement within 6" (150mm) of the air-outlet opening. Use caution when choosing location for Automatic dryers in confined areas. Consider proximity to doorways and other traffic areas. Airdri automatic hand dryers should be installed at least 500mm above any projection or horizontal surface which may interfere with the operation of the automatic sensor.

SPECIFICATION:

Surface-mounted hand dryer shall have type 304 stainless steel cover 1.2mm thick with #4 satin finish vertical grain. Slim profile cover shall project no more than 4" (100mm) from the finished face of wall to comply with accessible design guidelines (including ADAAG in the U.S.A.). Less than 20 seconds dry time. Motor shall be equipped with automatic thermal-overload protection. Electronic sensor shall automatically turn dryer on when hands are held under air-outlet opening and across path of sensor. Dryer shall turn off automatically when hands are removed. Sensor shall automatically shut dryer off approximately 85 seconds after dryer turns on if an inanimate object is placed across air-outlet opening. After inanimate object is removed, electronic sensor shall automatically reset itself and dryer shall operate normally. Unit shall be cULus Listed, and be CE marked. Unit shall comply with EU Directive "Restriction of Hazardous Substance" (ROHS) requirements for non-use of certain hazardous substances in the production of electronic products. Unit shall be protected by a limited 3 -year warranty on all parts.

SAFETY WARNING: Installation and wiring must conform to current local regulations and building codes. Unit must be installed by a qualified electrician. Turn off electrical power supply before making electrical connections. If the unit fails or malfunctions, it should be disconnected from the power supply and a qualified electrician should be called. To avoid potential injury, the building owner or maintenance personnel should remove the unit from service if the grille is missing or damaged.